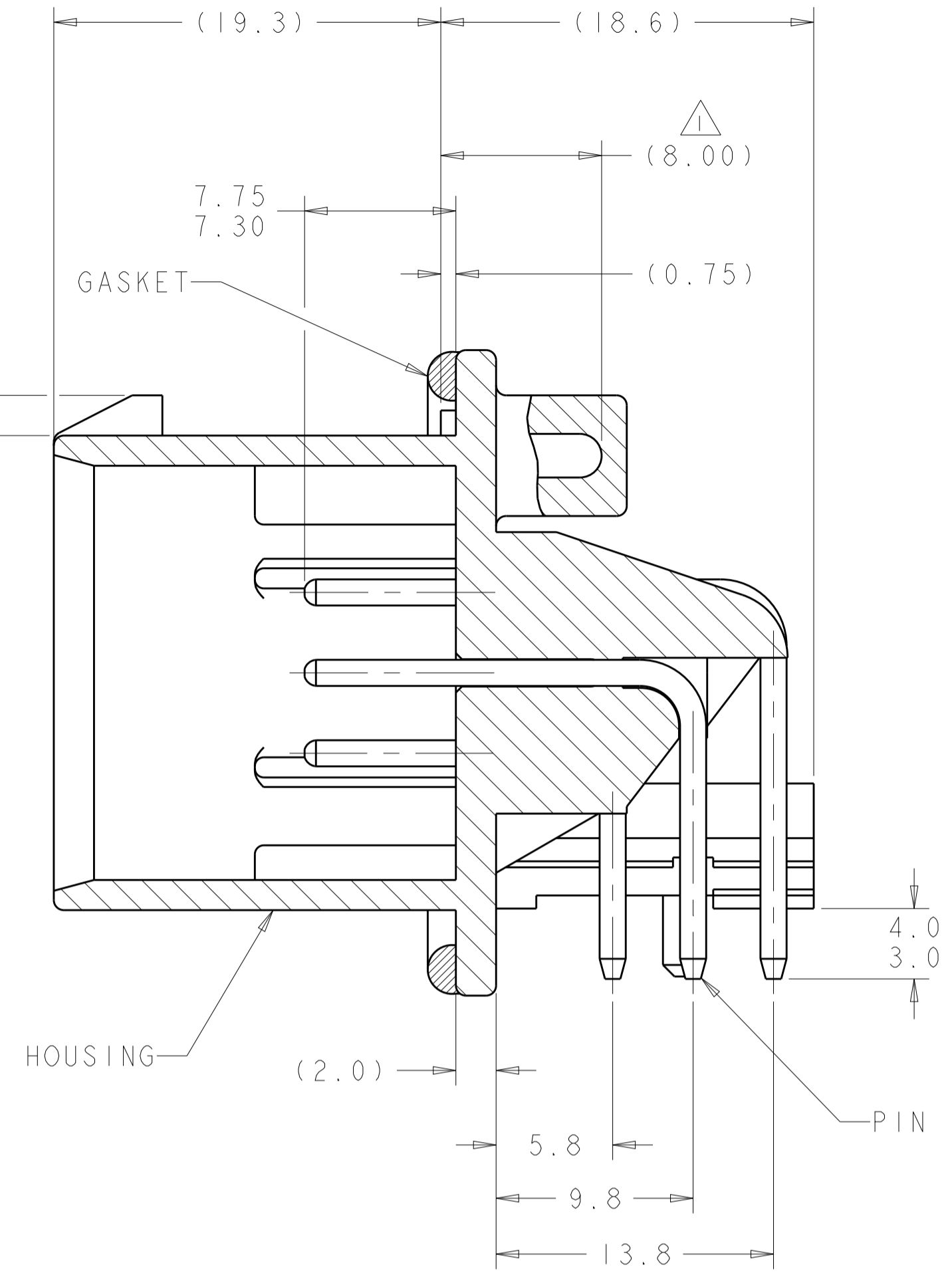
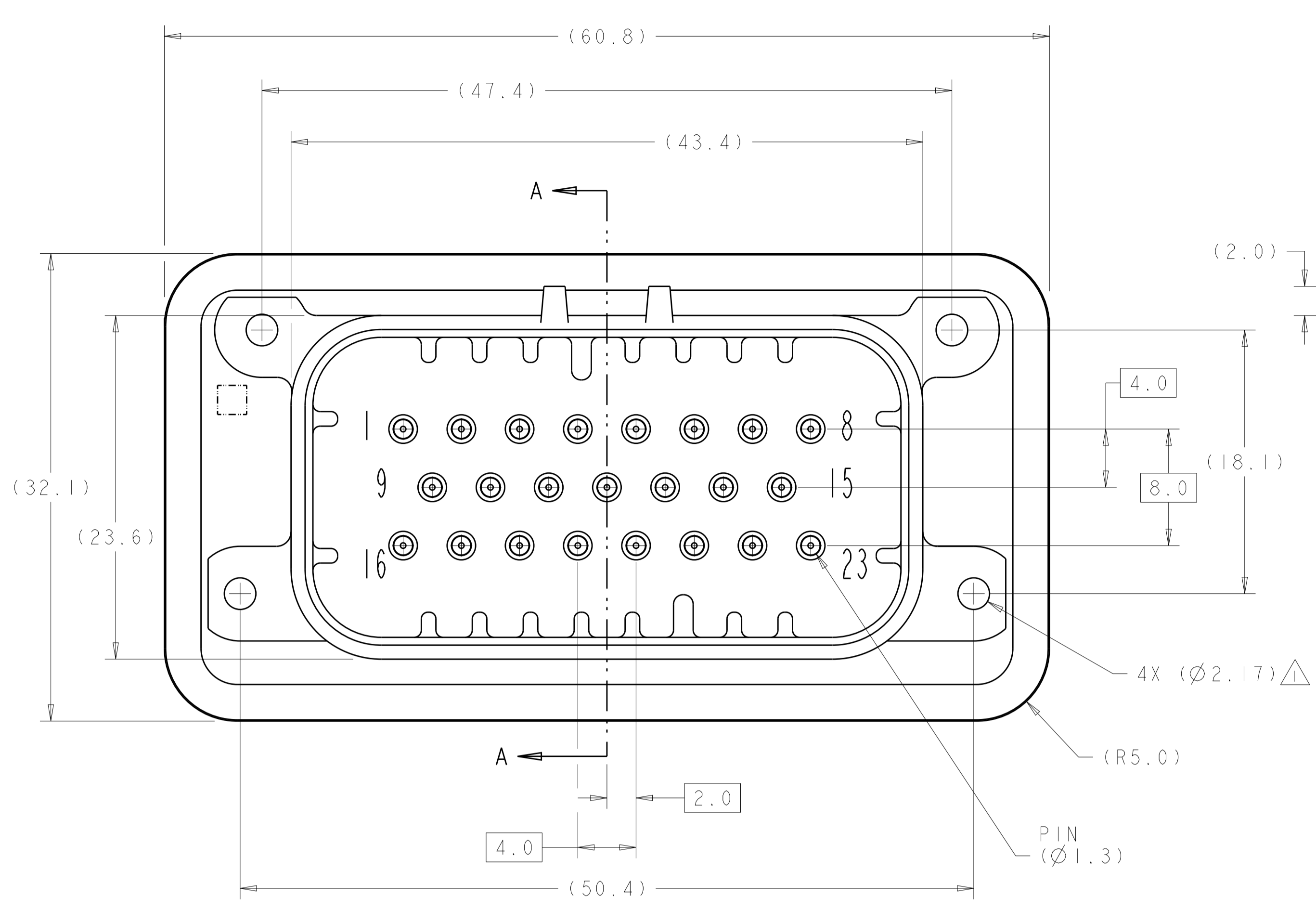
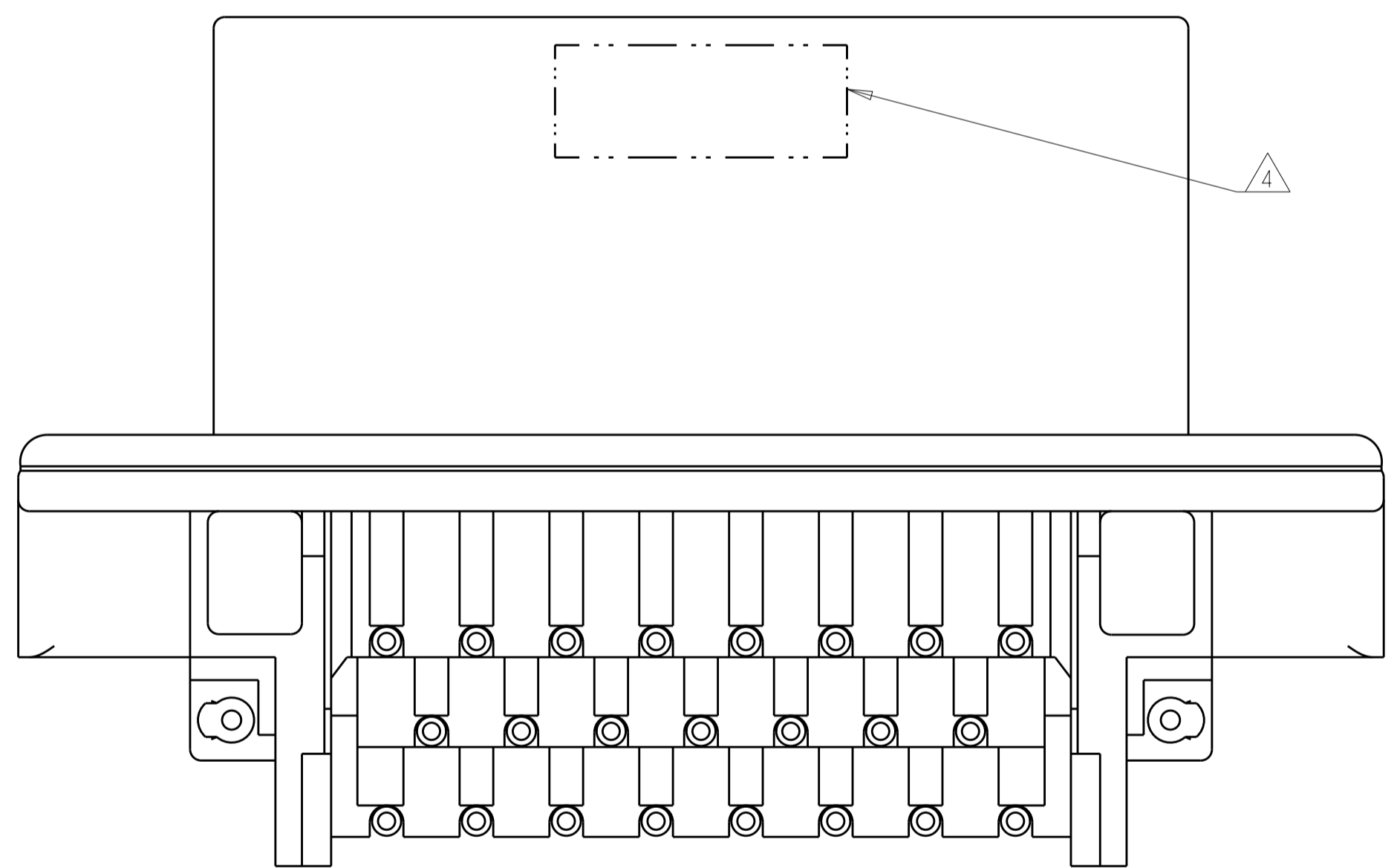


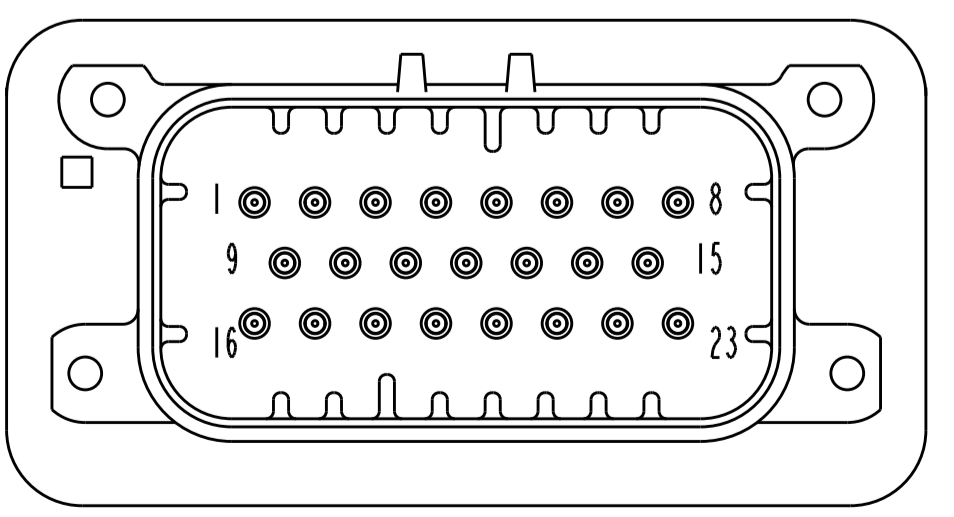
REVISIONS				
P.	LTM	DESCRIPTION	DATE	OWN APVD
E8		REVISED PER ECO-13-019565	12DEC2013	DD DS
E9		REVISED PER ECO-15-000100	22JAN2015	DD DS
E10		REVISED PER ECO-15-003872	25MAR2015	DD DS
E11		REVISED PER ECO-16-003526	09MAR2016	JM DS



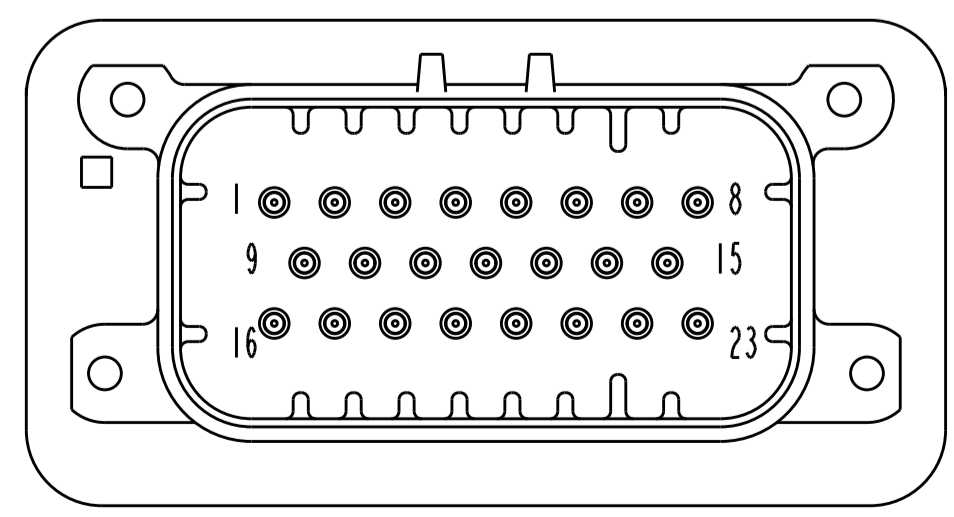
- 1 ACCEPTS #3 SELF TAPPING THREAD FORMING SCREWS OR METRIC EQUIVALENT. DRIVE TO 0.6-0.8 N-m.
- 2 HOUSING COLORS ARE MECHANICALLY KEYS TO MATE ONLY WITH IDENTICALLY COLORED PLUG ASSEMBLIES.
- 3 MATERIALS: HEADER HOUSING - GLASS FIBERED PBT
PINS - TIN OR GOLD PLATED BRASS
GASKET - SILICONE
- 4 DATE CODE TO BE BRANDED IN THIS LOCATION PER TE SPEC 102-60
USE 5 DIGIT CODE: FIRST 2 DIGITS = YEAR, SECOND 2 DIGITS = WEEK
LAST DIGIT = DAY
- 5. HEADER MATES TO PLUG ASSEMBLY 770680 WHICH USES REELED TERMINAL 770520 AND LOOSE PIECE TERMINAL 770854



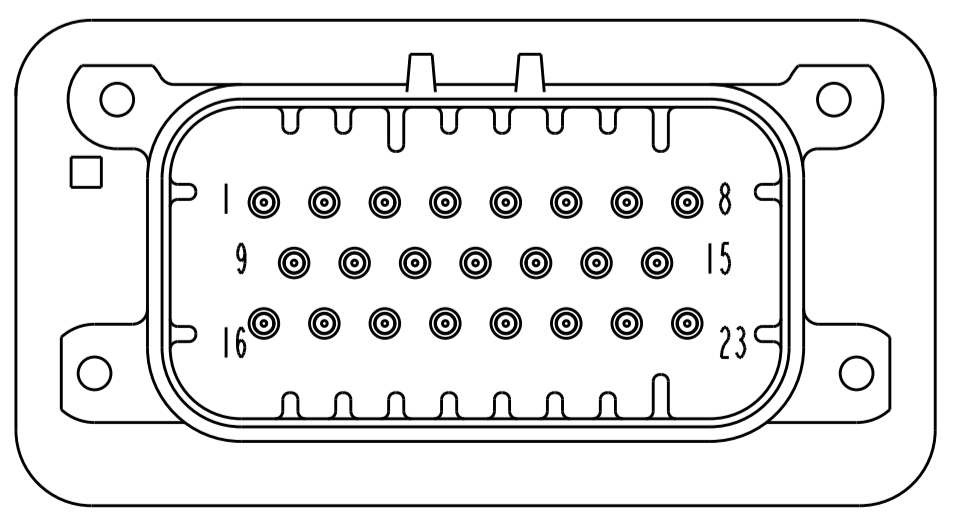
SECTION A-A



776087-2 & 1-776087-2
KEY LOCATION AS SHOWN
SCALE 2:1



776087-4 & 1-776087-4
KEY LOCATION AS SHOWN
SCALE 2:1



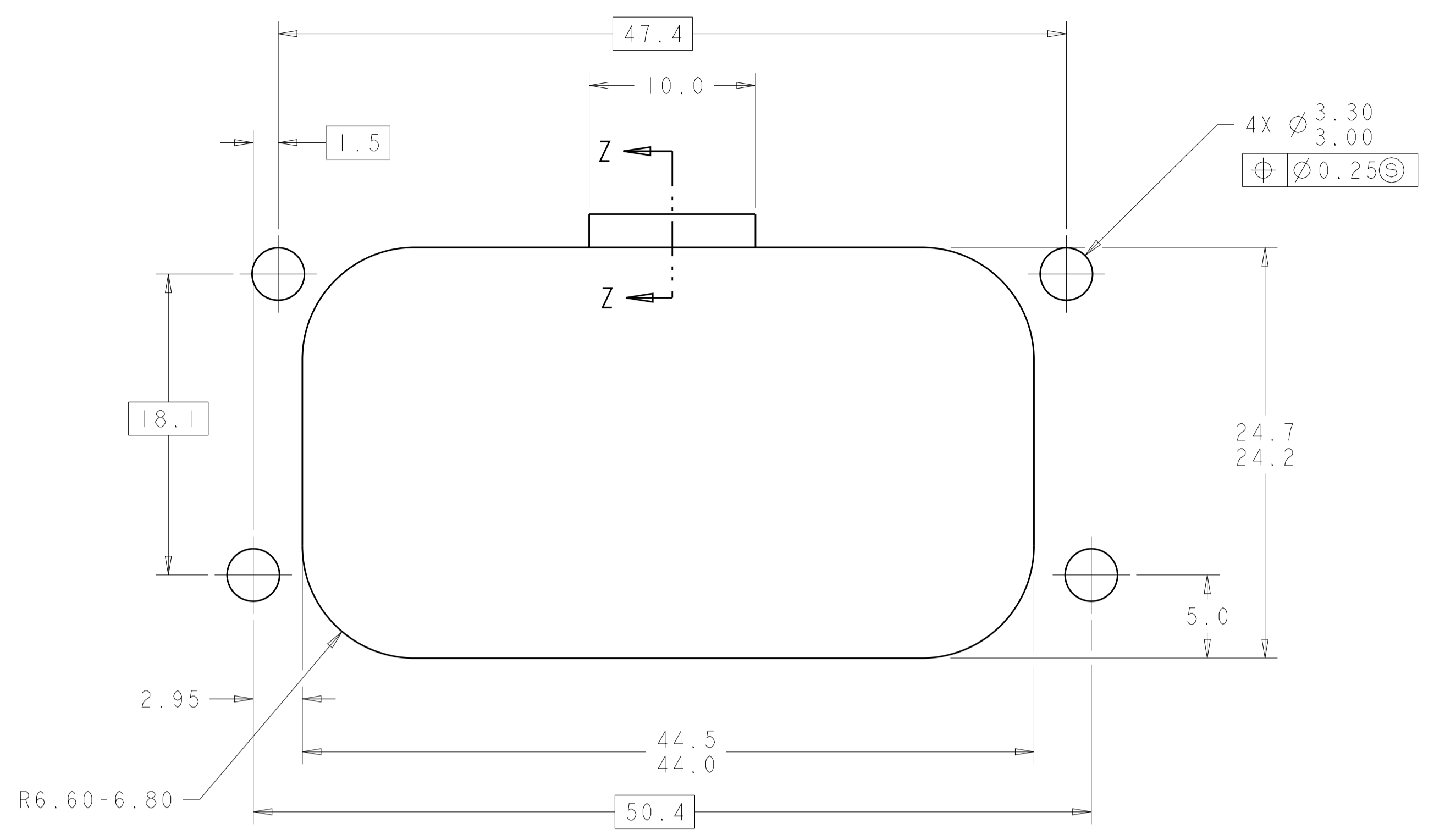
776087-5 & 1-776087-5
KEY LOCATION AS SHOWN
SCALE 2:1

776087-1 & 1-776087-1
KEY LOCATION AS SHOWN

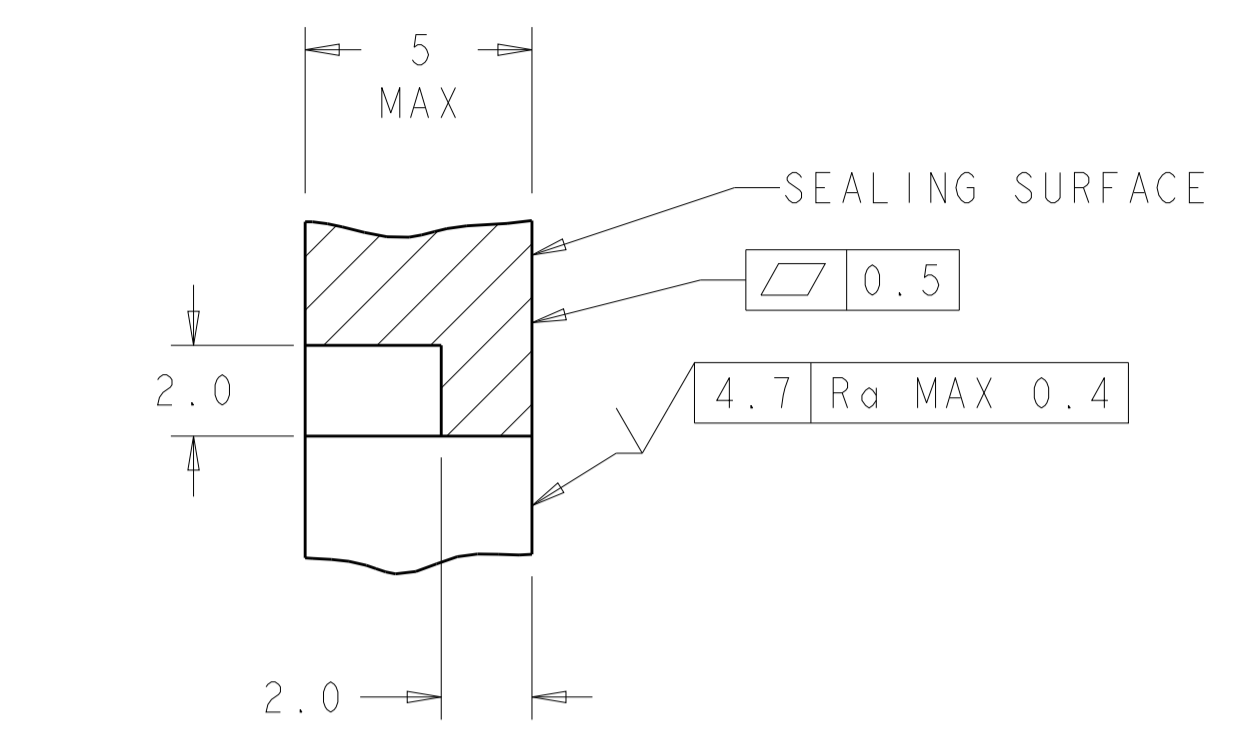
DURAGOLD	BLUE	1-776087-5
DURAGOLD	GRAY	1-776087-4
DURAGOLD	NATURAL (WHITE)	1-776087-2
DURAGOLD	BLACK	1-776087-1
TIN	BLUE	776087-5
TIN	GRAY	776087-4
TIN	NATURAL (WHITE)	776087-2
TIN	BLACK	776087-1
FINISH	COLOR Δ	PART NUMBER

THIS DRAWING IS A CONTROLLED DOCUMENT.		OWN: R. VESTAL 31DEC2002	
DIMENSIONS: mm		CHK: D. CROWE 31DEC2002	
TOLERANCES UNLESS OTHERWISE SPECIFIED:		APVD: D. CROWE 31DEC2002	NAME: HEADER ASSEMBLY, 23 POSITION, RIGHT ANGLE, AMPSEAL
0 PLC ±0.2		PRODUCT SPEC: 108-1329	
1 PLC ±0.25		APPLICATION SPEC: 114-16016	SIZE: A100779C=776087
2 PLC ±0.3		WEIGHT: -	
3 PLC ±0.4		CUSTOMER DRAWING	RESTRICTED TO: -
ANGLES ±0.5		SCALE: 4:1	SHEET: 1 OF 2
FINISH: Δ		REV: E11	

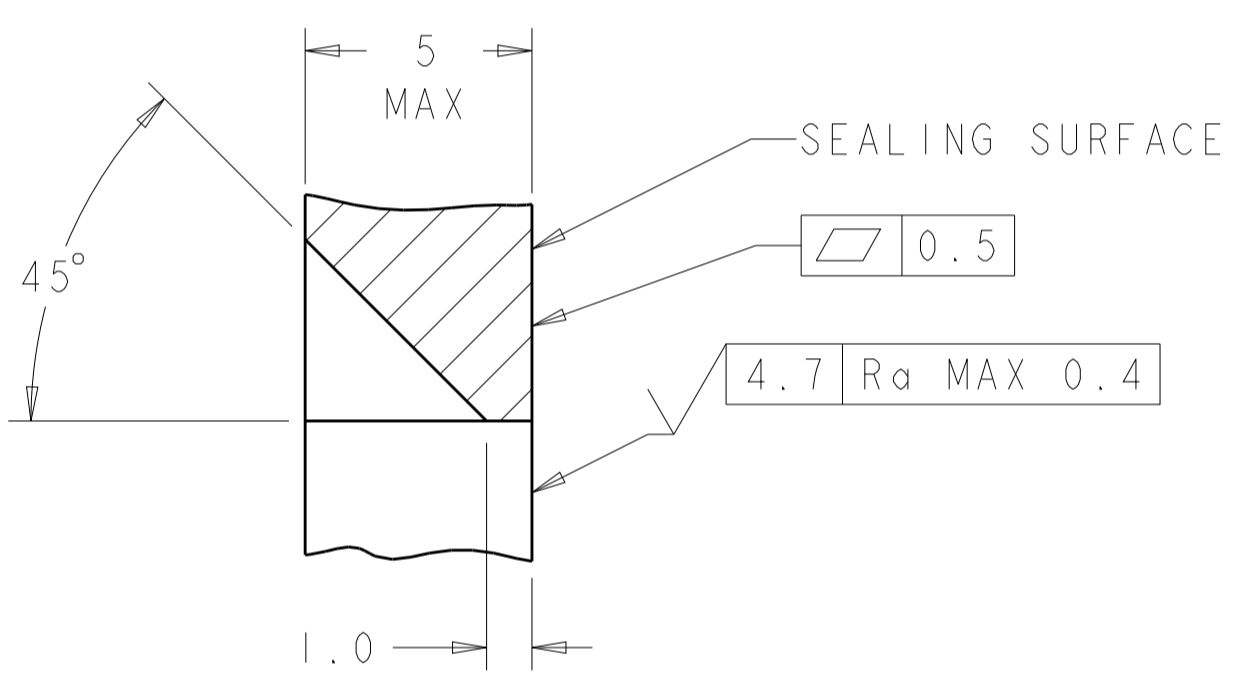
REVISIONS				
P.	LTN.	DESCRIPTION	DATE	APP'D.
-	-	SEE SHEET 1	-	-



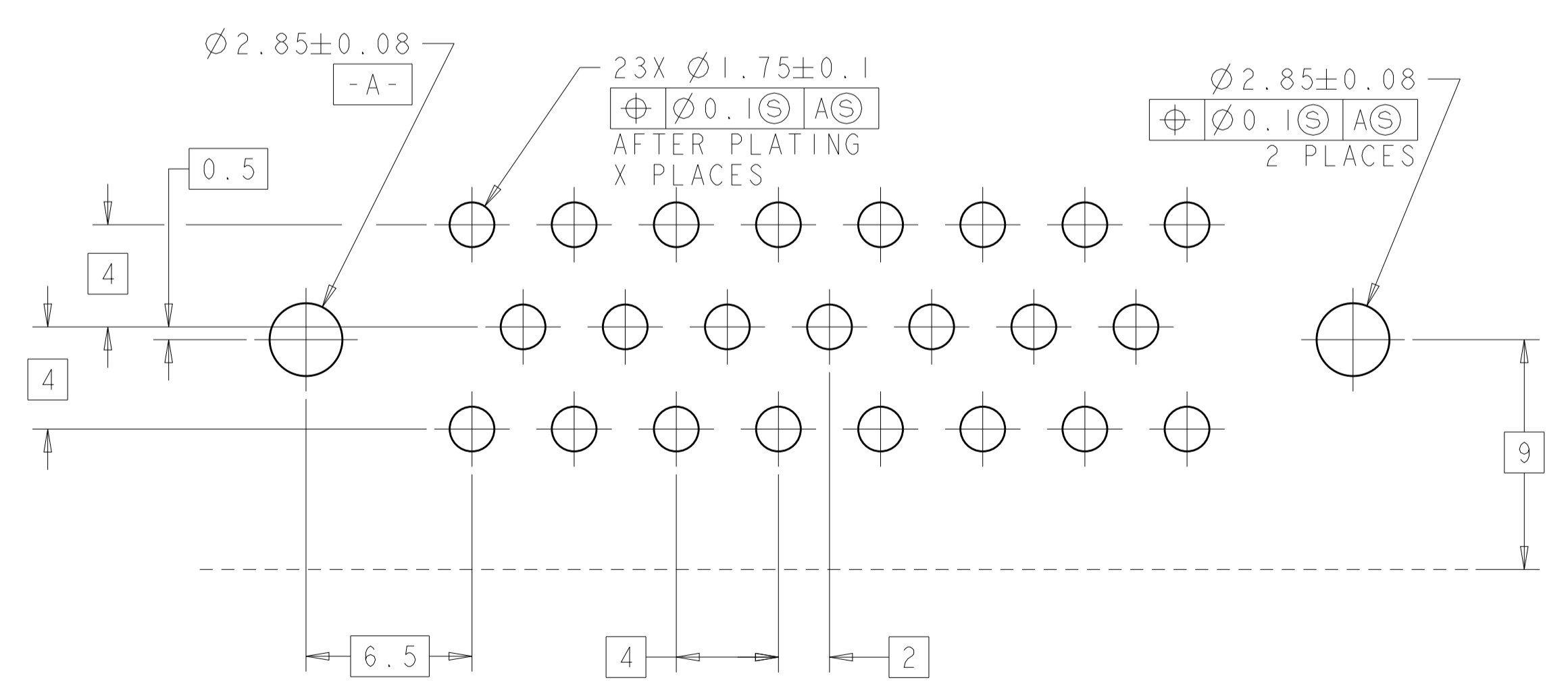
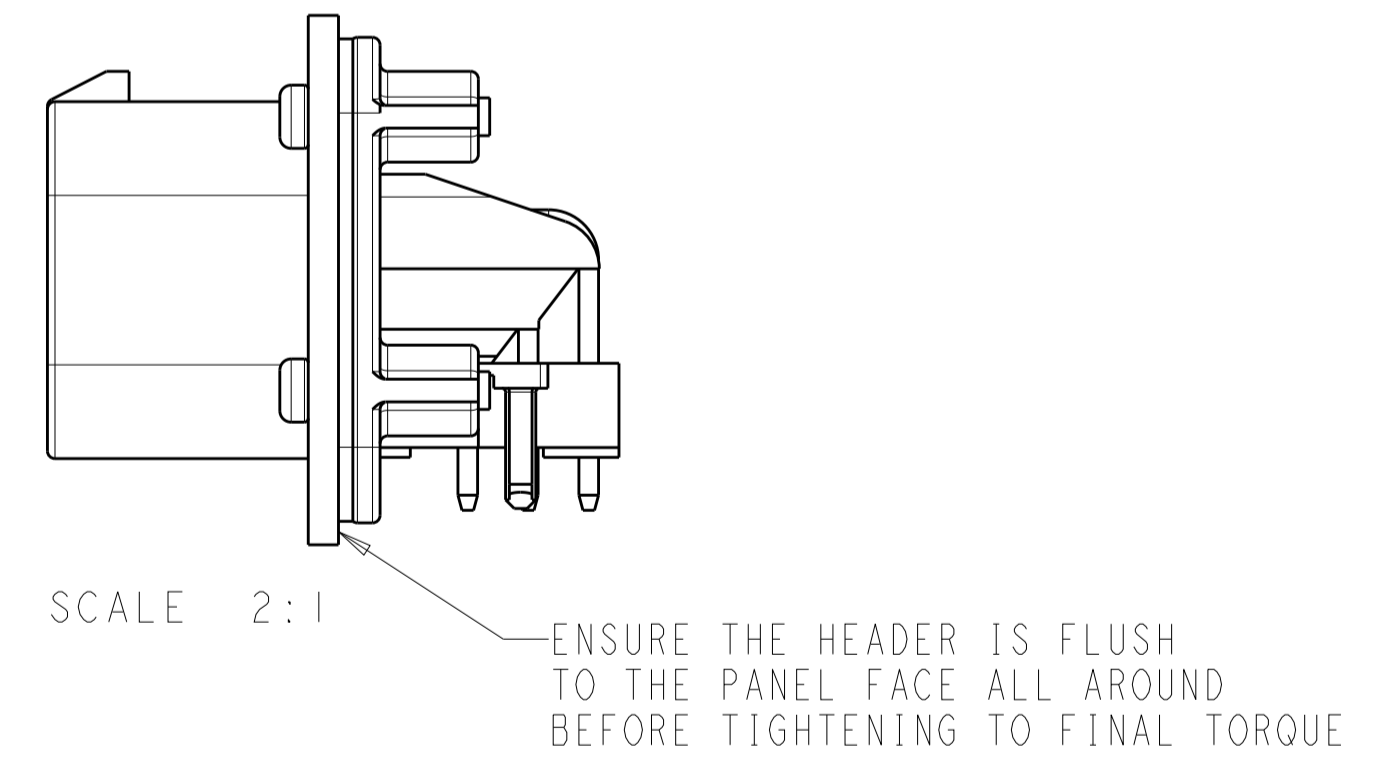
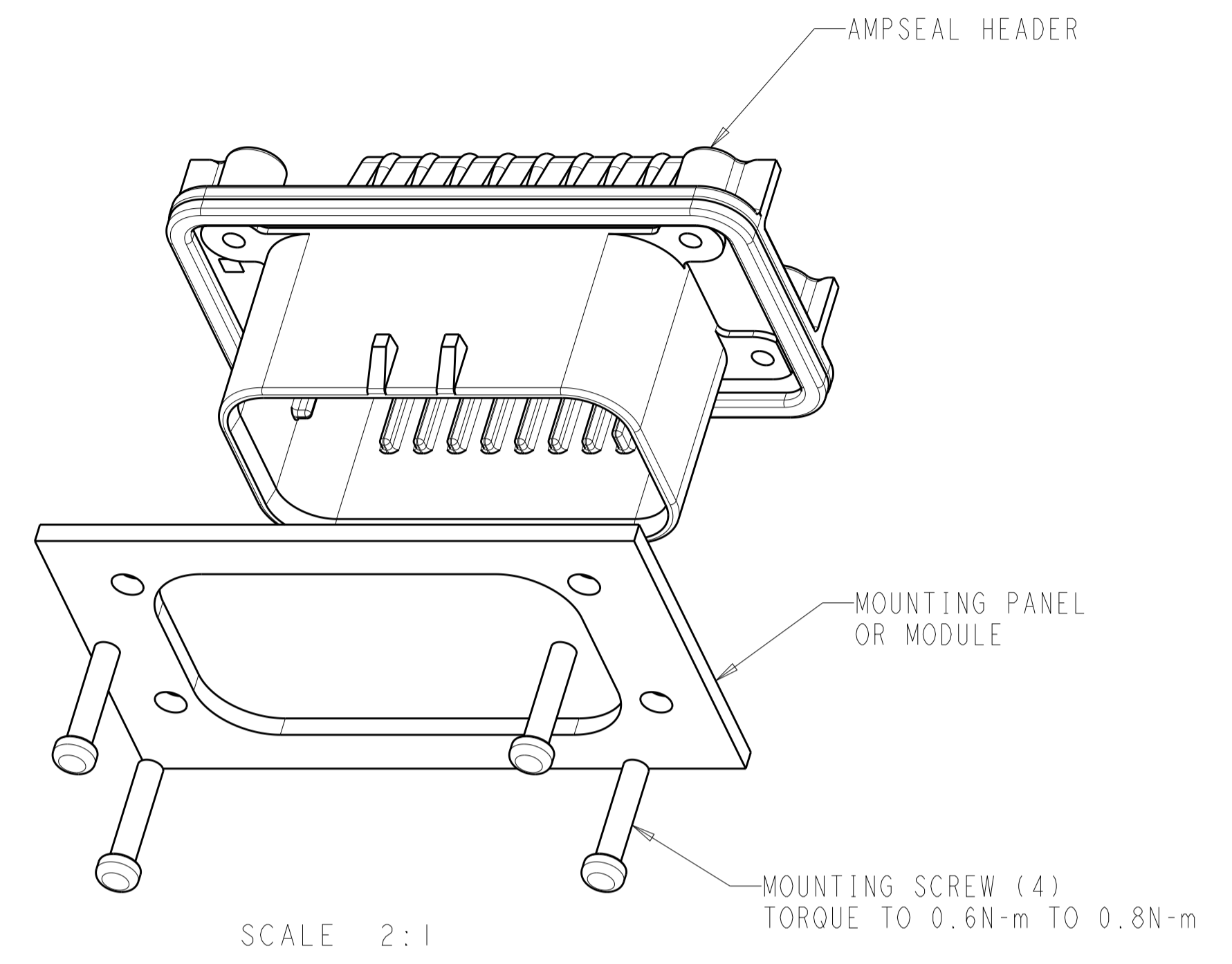
RECOMMENDED MOUNTING HOLE LAYOUT FOR 5.0 MAX THICK PANEL



SECTION Z-Z
 OPTIONAL CONSTRUCTION IF THICKNESS IS GREATER THAN 2.0
 SCALE 6:1



SECTION Z-Z
 OPTIONAL CONSTRUCTION IF THICKNESS IS GREATER THAN 2.0
 SCALE 6:1



RECOMMENDED P.C. BOARD LAYOUT FOR 1.57 THICK P.C. BOARD

THIS DRAWING IS A CONTROLLED DOCUMENT.		DWN: R. VESTAL 31DEC2002	TE Connectivity
DIMENSIONS: mm		CHK: D. CROWE 31DEC2002	
TOLERANCES UNLESS OTHERWISE SPECIFIED:		APVD: D. CROWE 31DEC2002	NAME: HEADER ASSEMBLY, 23 POSITION, RIGHT ANGLE, AMPSEAL
0 PLC	±	PRODUCT SPEC	SIZE: CAGE CODE DRAWING NO. RESTRICTED TO
1 PLC	±0.3	108-1329	A100779C=776087
2 PLC	±0.13	APPLICATION SPEC	SCALE 4:1 SHEET 2 OF 2 REV E11
3 PLC	±	114-16016	
4 PLC	±	WEIGHT	
ANGLES	±	CUSTOMER DRAWING	
MATERIAL			
FINISH			